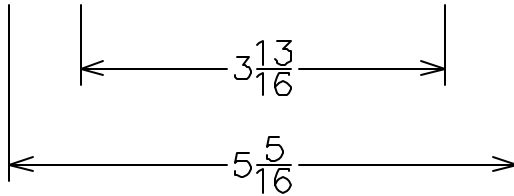
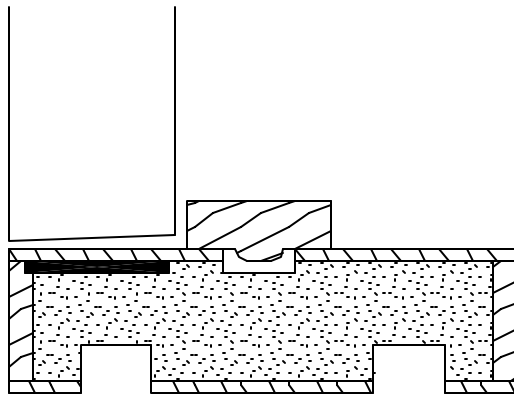


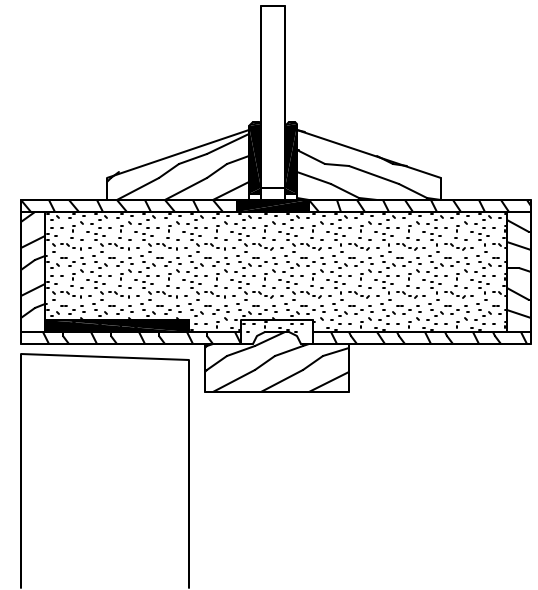
Jamb Leg

1



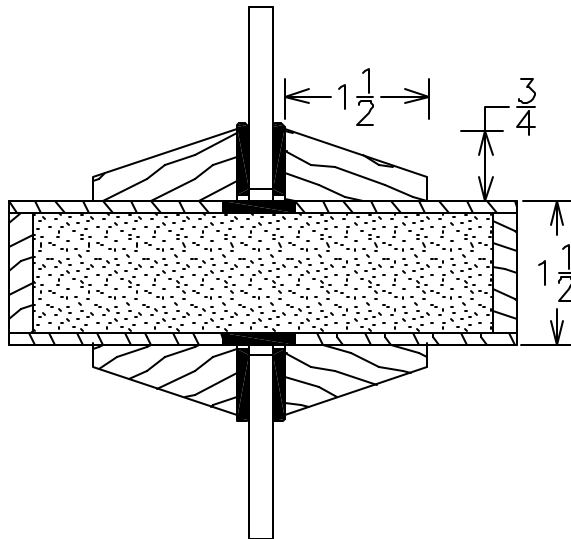
Door Relite Mullion

2



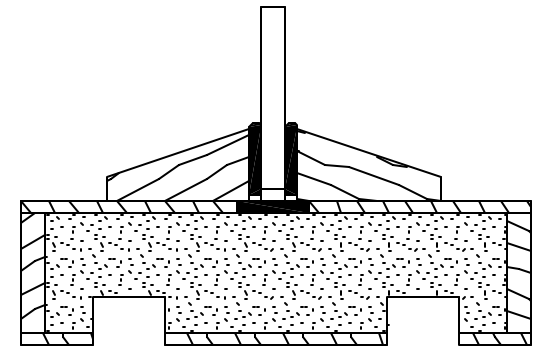
Relite Mullion

3



Relite Leg

4



Tested to ASTM E-152, UL 10(b)(c), CAN 4-S104 (ULC-S104), NFPA 252, and UBC 7-2-1997 Fire Door Test Standards. Tested to ASTM E-163, UL 9, CAN 4-S106, NFPA 257, and UBC 7-4-1997 Fire Test of Window Assemblies Standards.

45 minute frame details	
3 3/4" wall size	
Scale 6" - 1'-0"	



**Washington Hardwoods**

Manufacturers of DuraStraight  
Quality hardwood door-frames  
www.washingtonhardwoods.com

Phone 1-800-882-4552 Fax 1-800-882-3665